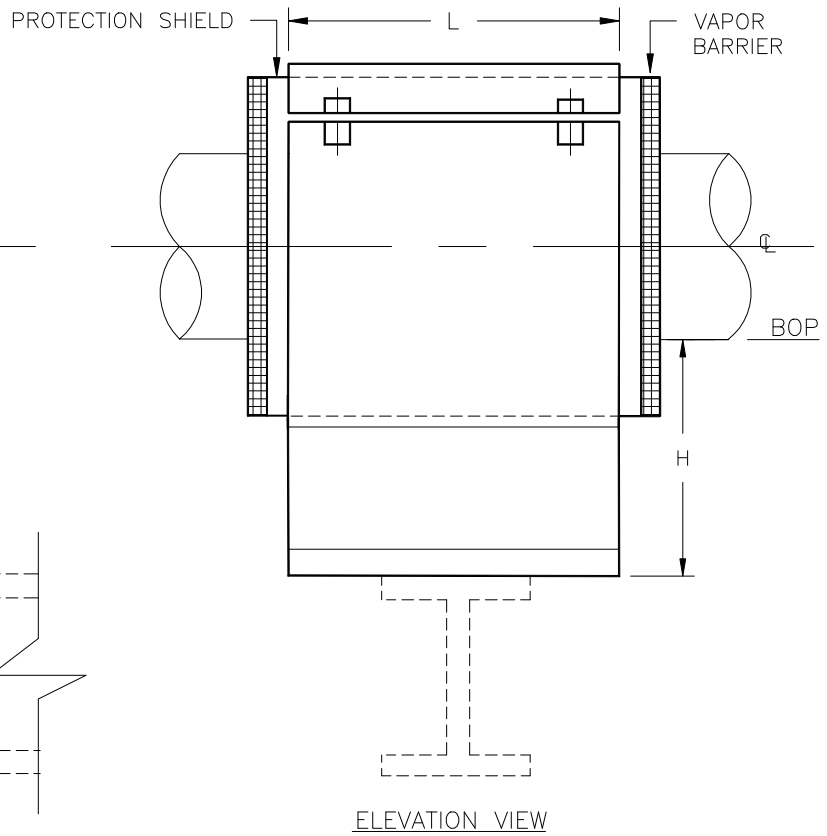
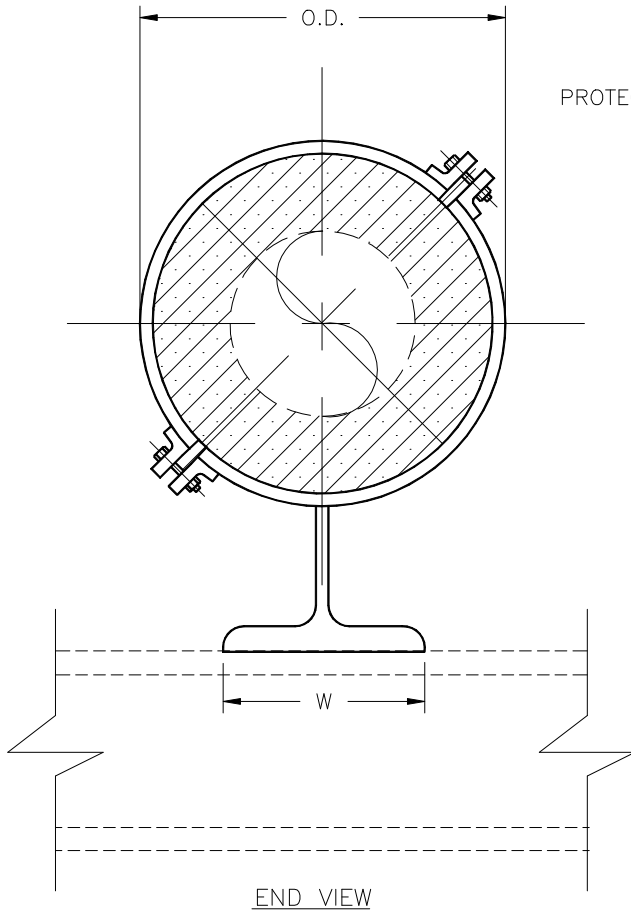


SPECIFICATIONS

INSULATION THK: _____
 SHOE LENGTH: _____
 LOADS: VERTICAL _____
 LATERAL _____
 AXIAL _____
 TEMPERATURE: _____



Design, PT&P 6/2/1999 10:37 AM HS-1011

NOTES

FIGURE#: HS-1011
 DESCRIPTION: RESTING SHOE, SPLIT-T BASE,
 360° INS., WITH BOLTS

FUNCTION: USE TO SUPPORT VERTICAL LOADS.

CLIENT NAME: _____
 PROJECT NAME: _____
 REQUISITION#: _____
 P.O.#: _____
 DWG#: _____
 MARK#: _____
 PT&P JOB#: _____ ITEM#: _____
 DATE: _____

PIPE SIZE: 1/2" TO 6" NPS.

MATERIAL: GALVANIZED OR HDG CARBON STEEL

INSULATION: HIGH DENSITY CALCIUM SILICATE

TEMP. RANGE: AMBIENT TO 1200°F

LAYERING SY.: SEE LAYERING CHARTS

SHOE LTH,(L): STANDARD SHOE AVAILABLE IN
 12" & 18" LENGTHS

TO ORDER: SPECIFY PIPE SIZE, INSULATION THK., LENGTH
 HENCE: (HS-1011)-NPS-THK.-L

LOADS: ALL LOADS ON ADJACENT CHART
 HAVE A SAFETY FACTOR OF 5

PIPING TECHNOLOGY & PRODUCTS, INC.

P.O. BOX 34506
 3701 HOLMES RD.

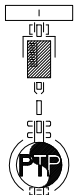
TELE#:(713)731-0030

http://www.pipingtech.com/

HOUSTON TEXAS 77234
 HOUSTON TEXAS 77051

FAX#:(713)731-8640

E-MAIL: info@pipingtech.com





Calcium Silicate for Hotshoe Construction

Pipe size	L=12" Vertical Load(lbs)	L=18" Vertical Load(lbs)	Insulation Thickness								
			1"			1-1/2"			2"		
			W	O.D.	H	W	O.D.	H	W	O.D.	H
1/2"	69 5/8	139 1/4	3"	3-1/8"	4"	3"	4-1/4"	4"	3"	5-1/4"	4"
3/4"	87	174	3"	3-1/8"	4"	3"	4-1/4"	4"	3"	5-1/4"	4"
1"	109	218	3"	3-3/4"	4"	3"	4-3/4"	4"	3"	5-13/16"	4"
1-1/4"	137 3/5	275 2/9	3"	3-3/4"	4"	3"	5-1/4"	4"	3"	5-13/16"	4"
1-1/2"	157 1/2	315	3"	4-1/4"	4"	3"	5-1/4"	4"	3"	6-7/8"	4"
2"	196 7/8	393 3/4	4"	5"	4"	4"	6-1/16"	4"	4"	7-1/4"	4"
2-1/2"	238 1/3	476 2/3	4"	5-1/2"	4"	4"	7-1/8"	4"	4"	8-1/8"	4"
3"	290 1/7	580 1/4	4"	6-1/16"	4"	4"	7-1/8"	4"	4"	8-1/8"	4"
3-1/2"	331 3/5	663 1/6	4"	7-1/8"	4"	4"	8-1/8"	4"	4"	9-1/8"	4"
4"	373	746	4"	7-1/8"	4"	4"	8-1/8"	4"	4"	9-1/8"	4"
5"	461 1/9	922 2/9	4"	8-1/8"	4"	4"	9-1/8"	4"	4"	10-1/8"	4"
6"	549 1/5	1098 3/8	6"	9-15/16"	4"	6"	10-3/8"	4"	6"	11-1/2"	4"

Pipe size	L=12" Vertical Load(lbs)	L=18" Vertical Load(lbs)	Insulation Thickness											
			2-1/2"			3"			3-1/2"			4"		
			W	O.D.	H	W	O.D.	H	W	O.D.	H	W	O.D.	H
1/2"	69 5/8	139 1/4	3"	6-7/8"	4"	3"	7-7/8"	6"	3"	8-7/8"	6"	3"	9-7/8"	6"
3/4"	87	174	3"	6-7/8"	4"	3"	7-7/8"	6"	3"	8-7/8"	6"	3"	9-7/8"	6"
1"	109	218	3"	6-7/8"	4"	3"	7-7/8"	6"	3"	8-7/8"	6"	3"	9-7/8"	6"
1-1/4"	137 3/5	275 2/9	3"	6-7/8"	4"	3"	7-7/8"	6"	3"	8-7/8"	6"	3"	9-7/8"	6"
1-1/2"	157 1/2	315	3"	7-7/8"	4"	3"	8-7/8"	6"	3"	9-7/8"	6"	3"	11"	6"
2"	196 7/8	393 3/4	4"	8-1/8"	4"	4"	9-1/8"	6"	4"	10-1/8"	6"	4"	11-1/4"	6"
2-1/2"	238 1/3	476 2/3	4"	9-1/8"	4"	4"	10-1/8"	6"	4"	11-1/4"	6"	4"	12-1/4"	6"
3"	290 1/7	580 1/4	4"	9-1/8"	4"	4"	10-1/8"	6"	4"	11-1/4"	6"	4"	12-1/4"	6"
3-1/2"	331 3/5	663 1/6	4"	10-1/8"	4"	4"	11-1/4"	6"	4"	12-1/4"	6"	4"	13-1/4"	6"
4"	373	746	4"	10-1/8"	4"	4"	11-1/4"	6"	4"	12-1/4"	6"	4"	13-1/4"	6"
5"	461 1/9	922 2/9	4"	11-1/4"	4"	4"	12-1/4"	6"	4"	13-1/4"	6"	4"	14-1/2"	6"
6"	549 1/5	1098 3/8	6"	12-1/2"	4"	6"	13-1/2"	6"	6"	14-3/4"	6"	6"	15-3/4"	6"