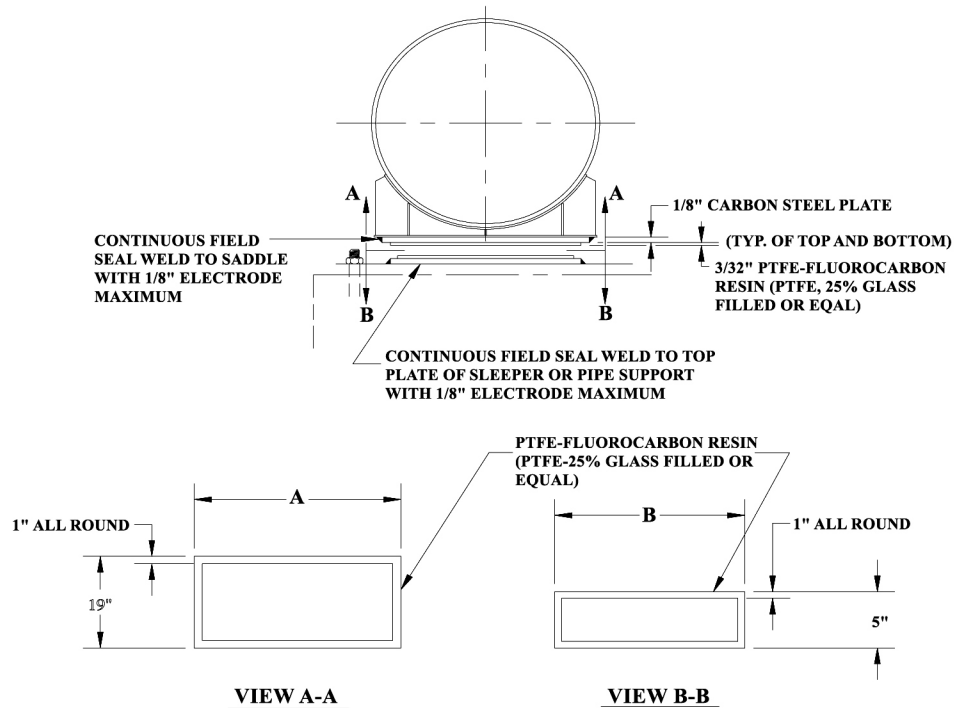




**FIG. 2000-S**

## SLIDE BEARING DETAILS FOR HEAVY DUTY PIPESADDLES

[www.pipingtech.com/fig2000s](http://www.pipingtech.com/fig2000s)



**NOTE:**

1. PTFE, 25% glass filled, properties shall be as follows:
  - Filler - 25% glass fibre
  - Specific gravity - 2.22 (nominal)
  - Tensile strength - 2100 PSI. minimum and to ASTM D1457.
  - Compressive strength - 1870 PSI. minimum at 0.2% deformation and to ASTM D695.
2. PTFE, 25% glass filled, pad shall be chemically etched and bonded to the carbon steel plate using a hot setting epoxy resin adhesive.
3. Maximum allowable pipe operating temperature 325 °F.
4. For 20" - 60" pipe saddle details refer to PT&P Fig. 2000.
5. Maximum axial movement on support is 6" (3" each direction). If axial movement is in excess of 12" the base width shall be increased accordingly.

**ORDERING:**

Specify figure number, pipe size, description, and slide plate material.

**DIMENSIONS (in.)**

PIPE SIZE	A	B
20	20	14
22	20	14
24	20	14
26	24	18
28	24	18
30	24	18
32	30	24
34	30	24
36	30	24
38	35	29
40	35	29
42	35	29
48	45	39
54	51	45
60	57	51