



## FIG. 76

## WELDING LUG FOR LONG RADIUS ELBOW

[www.pipingtech.com/fig76](http://www.pipingtech.com/fig76)

**MATERIAL:** Carbon steel

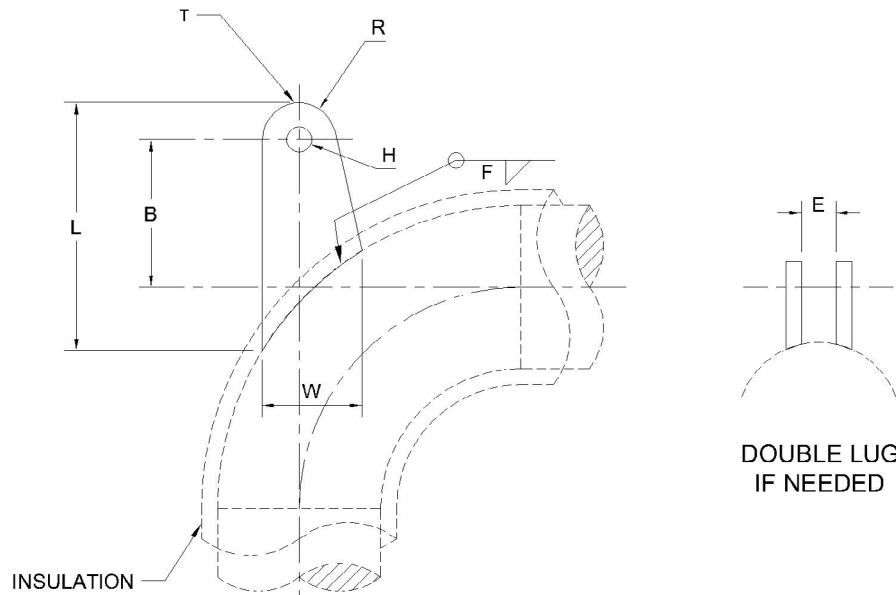
**SIZE:** 3" thru 42"

**FINISH:** Black or galvanized; furnished black unless otherwise specified.

**SERVICE:** Attachment for concrete ceiling.

**ORDERING:** Specify figure number, pipe size, description and finish, operating temperature and any other special requirements.

**NOTES:** The lugs are designed for 4" insulation thickness. Lugs can be designed for different insulation thickness.



ROD SIZE	1/2"	5/8"	3/4"	7/8"	1"	1-1/8"	1-1/4"	1-1/2"	1-3/4"	2"	2-1/4"	2-1/2"	2-3/4"	3"
T	1/4	1/4	3/8	1/2	1/2	5/8	3/4	3/4	3/4	3/4	3/4	1	1	1
W	3 1/2	3 1/2	3 1/2	3 1/2	5	5	6	7	7	8 1/2	8 1/2	9 3/4	10 1/4	10 1/2
R	1 1/2	1 1/2	1 1/2	1 1/2	2	2	2 1/2	3	3	3 1/2	3 1/2	3 3/4	4	4
H	11/16	13/16	15/16	1 1/8	1 1/4	1 3/8	2	1 3/4	2	2 3/8	2 5/8	2 7/8	3 1/8	3 3/8
E	1	1	1	1 1/2	1 1/2	2	2	2	2 1/2	2 1/2	2 1/2	2 1/2	2 1/2	2 1/2
F	1/8	1/8	1/4	1/4	1/4	5/16	5/16	5/16	5/16	3/8	3/8	3/8	3/8	3/8
PIPE SIZE	B. DIM	L. DIM												
3	7 7/16	11 11/16	11 11/16	11 11/16	11 11/16									
4	7 1/2	11 9/16	11 9/16	11 9/16	11 9/16	13 1/2	13 1/2							
6	7 9/16	11 5/8	11 5/8	11 5/8	11 5/8	13 1/16	13 1/16	14 11/16	16 13/16	16 13/16				
8	7 7/16	11 13/16	11 13/16	11 13/16	11 13/16	13 1/16	13 1/16	14 1/2	16 1/16	16 1/16	17 7/8	17 7/8	18 15/16	20 1/4
10	7 5/16	11 7/8	11 7/8	11 7/8	11 7/8	13 1/16	13 1/16	14 3/8	15 3/4	15 3/4	17 5/16	17 5/16	18 1/8	18 15/16
12	7 1/8		12	12	12	13 3/16	13 3/16	14 7/16	15 3/4	15 3/4	17 1/8	17 1/8	17 7/8	15 5/8
14	6 3/8			12 1/4	12 1/4	13 7/16	13 7/16	14 11/16	15 15/16	15 15/16	17 5/16	17 5/16	18 1/8	18 3/4
16	6 1/8				12 15/16	13 1/2	13 1/2	14 11/16	15 15/16	15 15/16	17 1/4	17 1/4	17 15/16	18 5/8
18	5 13/16					13 1/2	13 1/2	14 11/16	15 15/16	15 15/16	17 3/16	17 3/16	17 7/8	18 1/2
20	6 3/4						14 3/4	15 7/8	17	17	18 3/8	18 3/8	19	19 11/16
24	7 1/4							17 1/4	18 3/8	18 3/8	19 1/2	19 1/2	20 1/8	20 11/16
30	7										20	20	20 5/8	21 5/8
36	7										21 1/8	21 1/8	21 3/4	22 5/16
42	6										21 1/4	21 1/4	21 7/8	22 5/16

SCOMPONENTS03.XLS-04/22/17

SUPPORT ASSEMBLY COMPONENTS