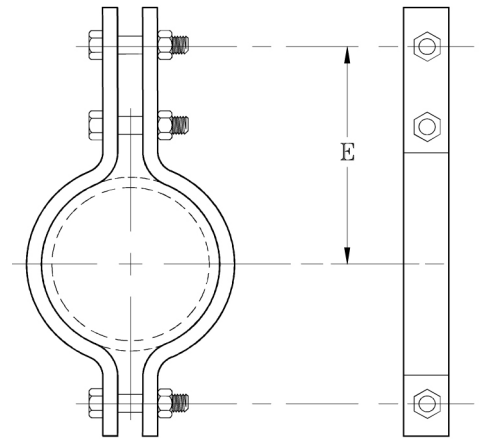




FIG. 2110 & 2120

SWAY STRUT ASSEMBLIES

www.pipingtech.com/ssa-takeout



THREE BOLT CLAMP FOR SWAY STRUT ASSEMBLIES

E-TAKEOUT FOR SWAY STRUT ASSEMBLIES

PIPE SIZE	A	B	C	1	2	3	4	5	6	7
3/4	2 7/16									
1	2 9/16									
1 1/4	2 11/16									
1 1/2	4 1/8	4 1/8								
2	5 1/8	5 1/8								
2 1/2	5 3/8	5 3/8								
3	5 15/16	5 15/16								
4	6 1/2	6 1/2	8 5/8	10 1/8	12 1/4	13 1/2	16 1/4			
5	7	7	9 7/16	10 15/16	12 13/16	14 5/16	16 13/16			
6	8 9/16	8 9/16	9 15/16	11 7/16	13 5/16	14 13/16	17 5/16	18 9/16	20 5/16	
8	9 9/16	9 9/16	10 1/8	12 7/16	14 9/16	15 13/16	18 5/16	20 1/16	21 5/16	
10	10 5/8	10 5/8	11 3/8	13 3/4	15 5/8	16 7/8	19 7/8	21 1/8	22 3/8	
12	11 5/8	11 5/8	12 9/16	14 3/4	16 5/8	18 3/8	20 7/8	22 1/8	23 3/8	
14	12 11/16	12 11/16	13 1/2	13 1/2	17 1/4	19	21 1/2	22 3/4	24 1/2	30
16	13 11/16	13 11/16	14 7/8	14 7/8	18 3/4	20	22 1/2	23 3/4	25 1/2	31
18	14 11/16	14 11/16	16 1/4	16 1/4	16 1/4	21	23 1/2	25 1/4	27	32
20	15 7/8	15 7/8	15 7/8	17 1/4	17 1/4	22	24 1/2	26 1/4	28	33 1/2
24	17 7/8	17 7/8	17 7/8	19 5/16	19 5/16	19 5/16	27	28 3/4	30	36
30	23 3/8	23 3/8	23 3/8	28 1/4	28 1/4	28 1/4	30 1/2	31 3/4	33	39
36	28 3/4	28 3/4	28 3/4	28 3/4	34 3/4	34 3/4	34 3/4	34 3/4	36	42