



FIG. 200

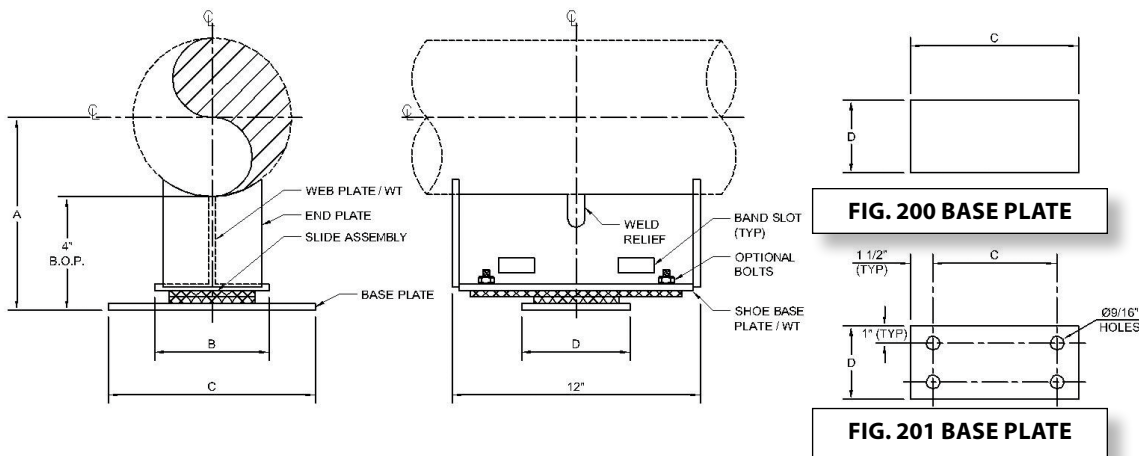
T-BAR CRADLE SUPPORT WITH BONDED/BOLTED SLIDE PLATES CRADLED NON-GUIDED SUPPORT

www.pipingtech.com/fig200

- MATERIAL:** Carbon steel
- FINISH:** Painted or hot dipped galvanized.
- OPTIONS:** Modifications in the dimensions A, B, C, D, and the slide plate material (PTFE, 25% glass filled or graphite) available upon request.
- ORDERING:** Specify figure number, pipe size, description, type, quantity, finish and slide plate material.
- ALLOWABLE LOADS:** The allowable vertical loads depend upon the pipe pressure and wall thickness.
- BONDING:** Graphite slide plates are usually bonded. For high temperature service above 500 °F specify bolted construction.
- NOTE:**
- Optional bolted base plate, specify Fig. 201.
 - For upper graphite slide material to be of bolted design, specify Fig. 200 base plate or Fig. 201 base plate (see below).

FIG. 200 - WELDED BASE

FIG. 201 - BOLTED BASE



PIPE SIZE	A	B	C	D	APPROX. WEIGHT (lb. per each)
2	5 3/16	4	12	5	12.0
3	5 3/4	4	12	5	12.0
4	6 1/4	4	12	5	12.0
6	7 5/16	4	12	5	15.5
8	8 5/16	4	12	5	16.0
10	9 3/8	4	12	5	17.0
12	10 3/8	4	12	5	17.7
14	11	4	12	5	21.0
16	12	4	12	5	22.0
18	13	7	15	5 1/2	33.0
20	14	7	15	5 1/2	34.0
24	16	7	15	5 1/2	36.0

PIPESH0ES01.XLS-09/19/09