

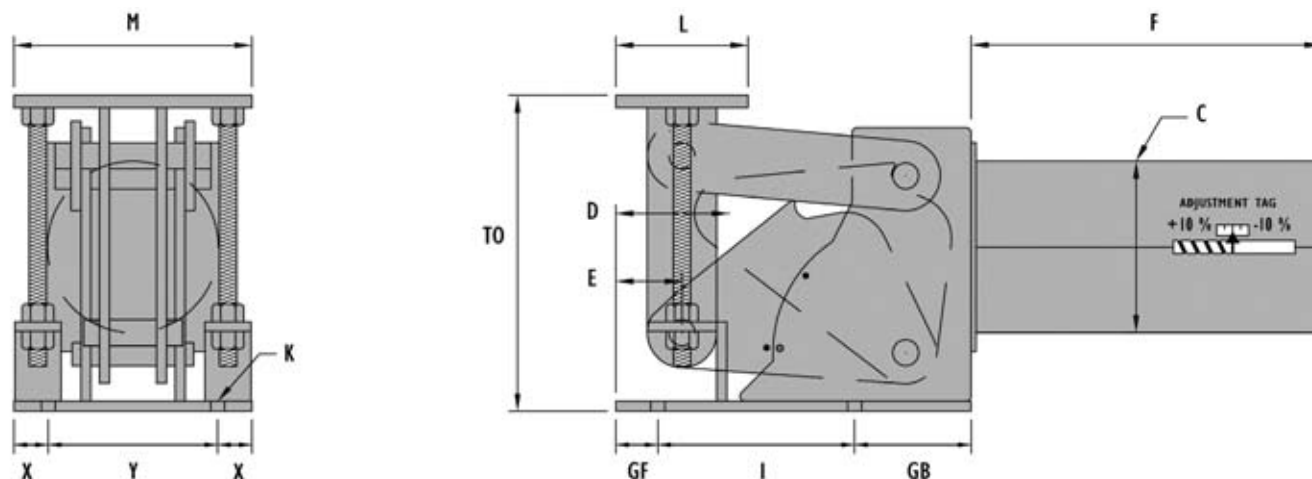


FIG. PTP 200-F

CONSTANT

ENGINEERED PIPE SUPPORTS

www.pipingtech.com/ptp200-f



* Drawing shown for up travel

Figure PTP 200-F is a horizontal constant designed to support piping from below. The base plate is bolted directly to the top of the steel or floor as shown above. It is important to understand that this constant has axial movement subjected by the vertical movement and angle rotation (D - E). If axial movement cannot be tolerated, then a Figure PTP 200-U horizontal upthrust constant would be appropriate for the application which only allows for vertical movement.

ORDERING: Specify figure number, size, type, load, actual travel, total travel and direction of travel. For load and travel not in the tables, please call for dimensions.

IMPORTANT NOTES: All dimensions are in inches unless otherwise noted.

- TO - Take out for up travel
- D - Load flange position for down travel
- E - Load flange position for up travel
- F - Maximum length for the load range
- WT - Maximum weight for the load range

Total Travel 1 1/2 to 4 inches

LOAD RANGE (lb.)	K_HOLE	TO*	C	D	E	F	GB	GF	I	L	M	X	Y	WT (lb.)
44 - 243	9/16	10	6 5/8	4 3/16	2 5/8	12	3 7/8	1 1/2	7 3/4	5 1/4	10	1 1/2	7	65
244 - 1018	11/16	11 1/2	8 5/8	4 3/16	2 5/8	15	3 7/8	1 1/2	7 3/4	5 1/4	10	1 1/2	7	105
1019 - 3516	13/16	12 1/2	8 5/8	4 11/16	3 1/8	22	4 3/8	1 1/2	8 3/4	6 1/4	13	1 1/2	10	230
3517 - 7538	15/16	15 1/2	8 5/8	6 3/16	4 5/8	33	4 7/8	1 1/2	9 3/4	9 1/4	15	1 1/2	12	375
7539 - 16159	1 1/8	21 1/2	12 3/4	6 7/16	5	44	4 7/16	1 1/2	13	10	17	1 1/2	14	1,040
16160 - 31490	1 3/8	25 3/8	12 3/4	8 3/8	6 13/16	58	5 1/2	2	14	13 5/8	20	2	16	1,640

*Take Out (TO) is for up travel [Add 4 inches for down travel]

CONSTANTS_200.XLS-04/22/17

Total Travel 4 1/2 to 6 inches

LOAD RANGE (lb.)	K_HOLE	TO*	C	D	E	F	GB	GF	I	L	M	X	Y	WT (lb.)
34 - 183	9/16	10	6 5/8	5 3/16	2 13/16	12	4 11/16	1 1/2	9 7/8	5 5/8	10	1 1/2	7	70
184 - 765	11/16	11 1/2	8 5/8	5 1/8	2 3/4	15	4 3/4	1 1/2	10	5 1/2	10	1 1/2	7	110
766 - 2402	13/16	12 1/2	8 5/8	5 1/2	3 1/8	22	5 3/8	1 1/2	10 3/4	6 1/4	13	1 1/2	10	240
2403 - 5663	15/16	15 1/2	8 5/8	6 13/16	4 7/16	33	5 13/16	1 1/2	11 5/8	8 7/8	15	1 1/2	12	390
5664 - 12140	1 1/8	21 1/2	12 3/4	7 9/16	5 3/16	44	6 13/16	1 1/2	13 5/8	10 3/8	17	1 1/2	14	1,070
12141 - 23659	1 3/8	25 3/8	12 3/4	9 3/8	7	58	8	2	14	14	20	2	16	1,690

*Take Out (TO) is for up travel [Add 6 inches for down travel]

CONSTANTS_200.XLS-04/22/17



FIG. PTP 200-F

CONSTANT

www.pipingtech.com/ptp200-f

ENGINEERED PIPE SUPPORTS

Total Travel 6 1/2 to 8 inches

LOAD RANGE (lb.)	K_HOLE	TO*	C	D	E	F	GB	GF	I	L	M	X	Y	WT (lb.)
25 - 151	9/16	10	6 5/8	6 5/16	3 1/8	12	5 1/2	1 1/2	12	6 1/4	10	1 1/2	7	75
152 - 632	11/16	11 1/2	8 5/8	6 5/16	3 1/8	15	5 3/4	1 1/2	12 1/2	6 1/4	10	1 1/2	7	120
633 - 1985	13/16	12 1/2	8 5/8	6 13/16	3 5/8	22	6 3/8	1 1/2	13 1/4	7 1/4	13	1 1/2	10	265
1986 - 4680	15/16	18	8 5/8	7 11/16	4 1/2	33	7	1 1/2	14	9	15	1 1/2	12	445
4681 - 10033	1 1/8	22	12 3/4	8 3/16	5	44	7 3/4	1 1/2	15 1/2	10	17	1 1/2	14	1,115
10034 - 19552	1 3/8	25	12 3/4	10 9/16	7 5/16	58	8 13/16	2	17 5/8	14 5/8	20	2	16	1,775

*Take Out (TO) is for up travel [Add 8 inches for down travel]

CONSTANTS_200.XLS-04/22/17

Total Travel 8 1/2 to 10 inches

LOAD RANGE (lb.)	K_HOLE	TO*	C	D	E	F	GB	GF	I	L	M	X	Y	WT (lb.)
21-125	9/16	10 1/2	6 5/8	7 1/8	3 1/8	12	5 5/8	1 1/2	14 3/4	6 1/4	10	1 1/2	7	85
126-522	11/16	11 3/4	8 5/8	7 1/8	3 1/8	15	6 1/8	1 1/2	15	6 1/4	10	1 1/2	7	130
523-1640	13/16	13	8 5/8	7 5/8	3 5/8	22	6 5/8	1 1/2	16	7 1/4	13	1 1/2	10	280
1641-3868	15/16	18	8 5/8	8 1/2	4 1/2	33	7 1/2	1 1/2	16 1/2	9	15	1 1/2	12	480
3869-8292	1 1/8	22 1/4	12 3/4	9	5	44	8	1 1/2	18	10	17	1 1/2	14	1,155
8293-16159	1 3/8	25	12 3/4	11 5/16	7 5/16	58	8 3/4	2	20 1/2	14 5/8	20	2	16	1,810

*Take Out (TO) is for up travel [Add 10 inches for down travel]

CONSTANTS_200.XLS-04/22/17

Total Travel 10 1/2 to 12 inches

LOAD RANGE (lb.)	K_HOLE	TO*	C	D	E	F	GB	GF	I	L	M	X	Y	WT (lb.)
17-103	9/16	10 1/2	6 5/8	8	3 1/8	12	6 1/2	1 1/2	16 3/4	6 1/4	10	1 1/2	7	90
104-432	11/16	11 3/4	8 5/8	8	3 1/8	15	6 1/2	1 1/2	17 1/2	6 1/4	10	1 1/2	7	135
433-1491	13/16	14	8 5/8	8 1/2	3 5/8	22	6 5/8	1 1/2	18 5/8	7 1/4	13	1 1/2	10	295
1492-3197	15/16	19	8 5/8	9 3/8	4 1/2	33	7 1/2	1 1/2	19	9	15	1 1/2	12	500
3198-6853	1 1/8	22 7/8	12 3/4	9 7/8	5	44	8 1/2	1 1/2	20	10	17	1 1/2	14	1,180
6854-13354	1 3/8	25	12 3/4	12 3/16	7 5/16	58	10	2	22	14 5/8	20	2	16	1,835

*Take Out (TO) is for up travel [Add 12 inches for down travel]

CONSTANTS_200.XLS-04/22/17

Total Travel 12 1/2 to 14 inches

LOAD RANGE (lb.)	K_HOLE	TO*	C	D	E	F	GB	GF	I	L	M	X	Y	WT (lb.)
17-94	9/16	11	6 5/8	8 13/16	3 1/8	12	6 1/2	1 1/2	19 1/2	6 1/4	10	1 1/2	7	95
95-392	11/16	13	8 5/8	8 13/16	3 1/8	15	7	1 1/2	19 1/2	6 1/4	10	1 1/2	7	140
393-1232	13/16	14 1/2	8 5/8	9 5/16	3 5/8	22	7 1/2	1 1/2	20 1/2	7 1/4	13	1 1/2	10	305
1233-2906	15/16	19 1/2	8 5/8	10 3/16	4 1/2	33	8	1 1/2	21 1/2	9	15	1 1/2	12	520
2907-6230	1 1/8	22 7/8	12 3/4	10 11/16	5	44	8 1/2	1 1/2	23	10	17	1 1/2	14	1,210
6231-12140	1 3/8	25	12 3/4	13	7 5/16	58	10	2	24 1/2	14 5/8	20	2	16	1,865

*Take Out (TO) is for up travel [Add 14 inches for down travel]

CONSTANTS_200.XLS-04/22/17